



## Zoom Stereo Microscope, 0.8~8x, Trinocular, Square Stand Up/Bottom LED

- Zoom Stereo 0.8x~8.0x, Total Magnification Up To 4x~480x With Auxiliary Lens & Eyepiece
- Super Wide Field Plan Eyepiece WF10x/22mm Dioptre Adjustable, WF15x, WF20x Optional
- PLAN Objective Lens 0.5x, 1x, 2.0x Optional To Enlarge Magnification and Working Distance
- Large Track Stand With Up/Bottom LED Light In Square & Fan Shape For Choice
- Extra 60 LEDs Ring Light Source Optional For More Illumination



## Head And Eyepiece

SLV-SZ68 With Binocular Head Inclined 20°  
SLV-SZ68-T With Tilting Binocular Head 0~35°



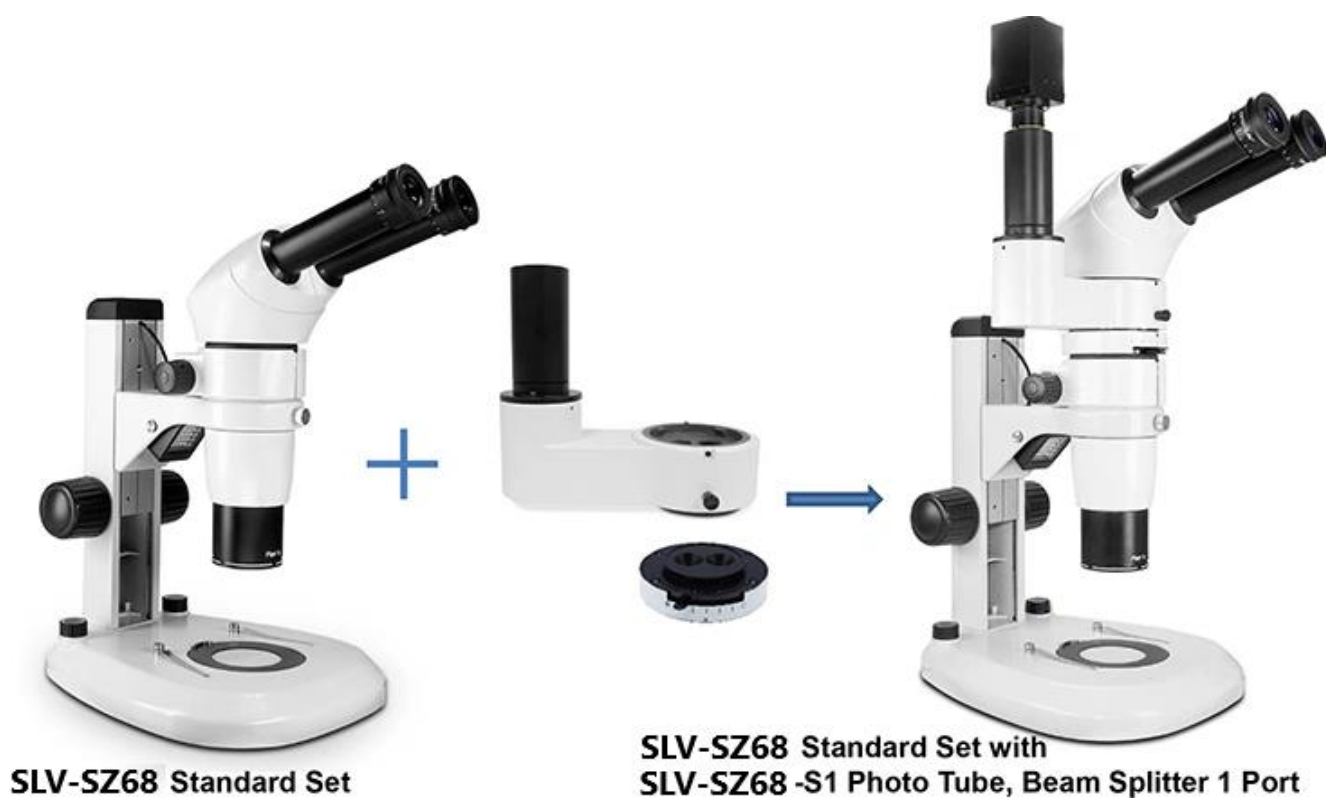
## Main Body

Plan 1x Objective Lens  
Up & Bottom Light Source, Brightness Adjustable

## Product Details



Parallel Optical System Model Design to Add Function Easily



SLV-SZ68 Standard Set

SLV-SZ68 Standard Set with  
SLV-SZ68 -S1 Photo Tube, Beam Splitter 1 Port



SLV-SZ68  
Zoom Stereo Microscope, Max 0.8~8x

SLV-SZ68F  
Fluorescent Zoom Stereo Microscope

## Product Details



SLV-SZ68F EPI-Fluorescent Attachment For Stereo Microscope

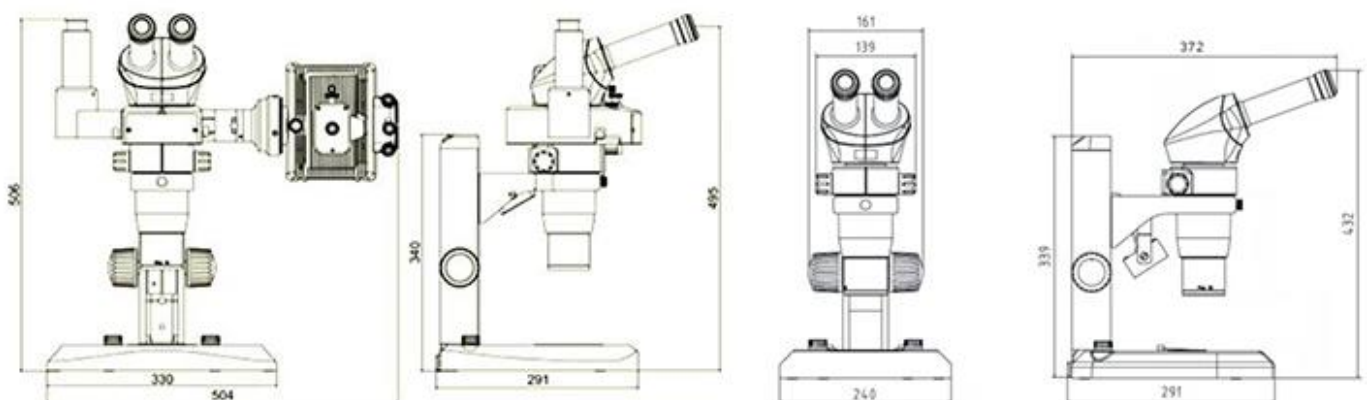
## Product Details



**SLV-SZ68 Standard Set**

**SLV-SZ68-T Standard Set with  
SLV-SZ68-S1 Photo Tube, Beam Splitter 1 Port**

## Product Dimension





SLV-SZ68



SLV-SZ68T



SLV-68F

## Accessories



Coaxial Illumination Set



Temperature Control Stage



Movable Working Stage



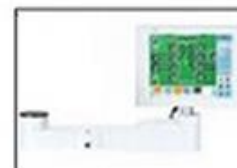
Dark Field Attachment



Tilting Head 0° -35°



EPI-Fluorescent Attachment



8.4" TFT Touching LCD&Connector



Simple Polarizing Attachment



SLV-SZ68-T



SLV-SZ68-F



SLV-SZ68-D



# TECHNICAL SPECIFICATION

SLV-SZ68-T Zoom Stereo Microscope, With Tilting head		SLV-SZ68-T06	SLV-SZ68-T08	SLV-SZ68-T10
Optical System	Parallel Optical System, Module Design to Add Function Easily	•	•	•
Head	Tilting Head 0°-35° Viewing Angle Adjustable for User	•	•	•
Eyepiece	Extra Wide Field Eyepiece EWF10x/22mm	•	•	•
Zoom Body	0.8~5.0x, Zoom Ratio 1:6	•	-	-
	0.8~6.4x, Zoom Ratio 1:8	-	•	-
	0.8~8.0x, Zoom Ratio 1:10	-	-	•
Auxiliary Lens	Plan Achromatic Lens 1.0x	•	•	•
Working Distance	78mm	•	•	•
Focusing	Coarse Focusing Konb, Range 105mm	•	•	
	Coaxial Coarse & Fine Focusing Knob, Fine Division 0.015mm, Coarse Stroke 38.4mm/Rotation, Fine Stroke 1.5mm/Rotation, Moving Range 105mm, Focusing Mount Inner Dia. 76mm			•
Illumination	Transmit & Reflect LED Illumination, Brightness Adjustable, Working Life 6000 Hours			

## SLV-SZ68-T Zoom Stereo Microscope, With Tilting head

Eyepiece	WF15x/16mm
	WF20x/12mm
	WF30x
Auxiliary Lens	Plan Apochromatic Lens 0.5x
	Plan Achromatic Lens 1.0x
	Plan Achromatic Lens 2.0x
	Achromatic Lens 0.3x
	Achromatic Lens 0.5x
Illumination	Coaxial Illumination Set:
	--Cold Light Power Supplier,
	--Dual Light Guide,
	--Coaxial Episcopic Illuminator,
	--Iris Diaphragm
	Iris Diaphragm
Working Stage	Temperature Control Stage

	Movable Working Stage
Stand	Universal Table Stand
	Track Stand, Transmit & Reflect Light Source With Coarse & Fine Focusing Optional,
Fluorescent	EPI-Fluorescent Attachment For Stereo Microscope
Dark Field	Dark Field Attachment For Stereo Microscope
Polarizing	Simple Polarizing Attachment For Stereo Microscope
Adapter	Photo Tube, Beamsplitter 1 Port
	Photo Tube, Beamsplitter 2 Port
	Photo Adapter, 2.0x, For Nikon or Canon Digital SLR Camera
	C-mount 0.5x
	C-mount 1.0x

